



btexindia.com



Brushing system



Brushing with Inspection



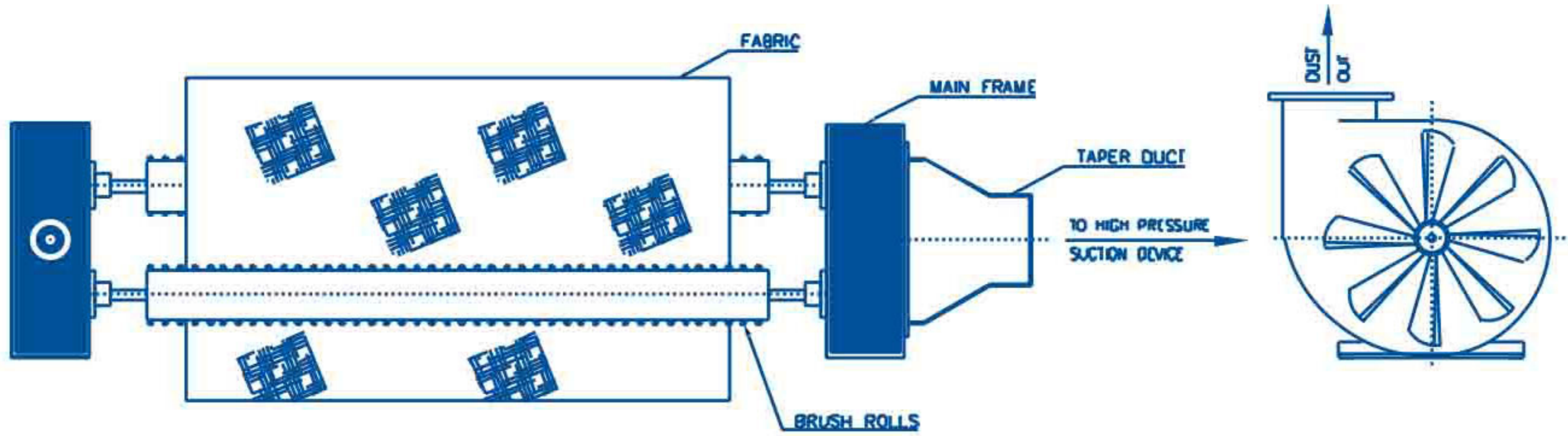
Brushing On-site

**Fabric Brushing and Beating Machines / BBR**

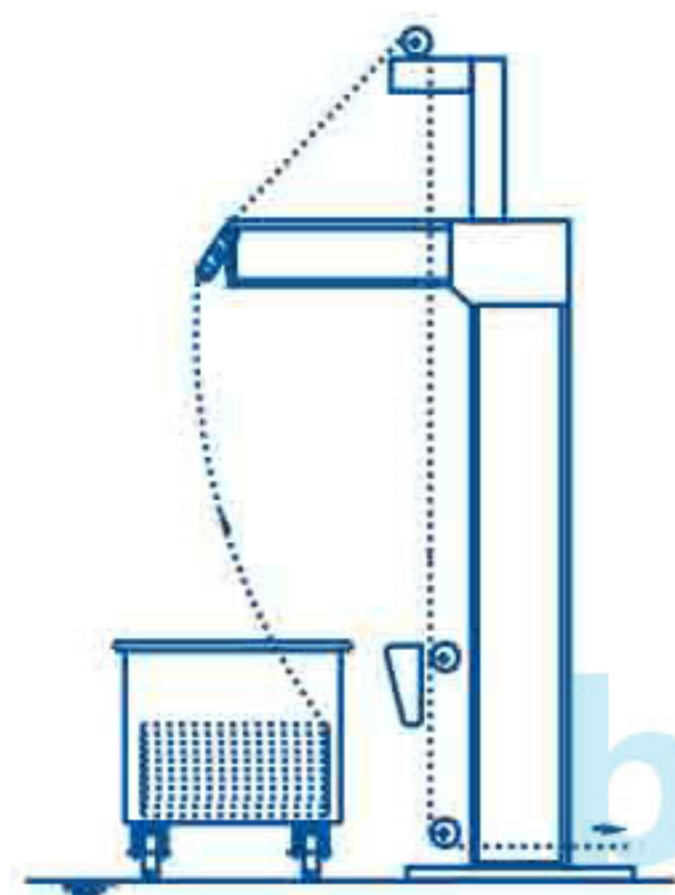
The B-Tex Brushing and Beating machines BBR is designed to clean the fabric during process by taking dust and impurities away. BBR contains a pair of brush rolls to remove the dust and impurities to clean the fabric. High pressure suction device is attached to the machine. Compact design of the BBR allows to fit the machine on various existing machines on site.

BBR can work together with many processes including stentering, drying, slitting, printing, inspection, etc.

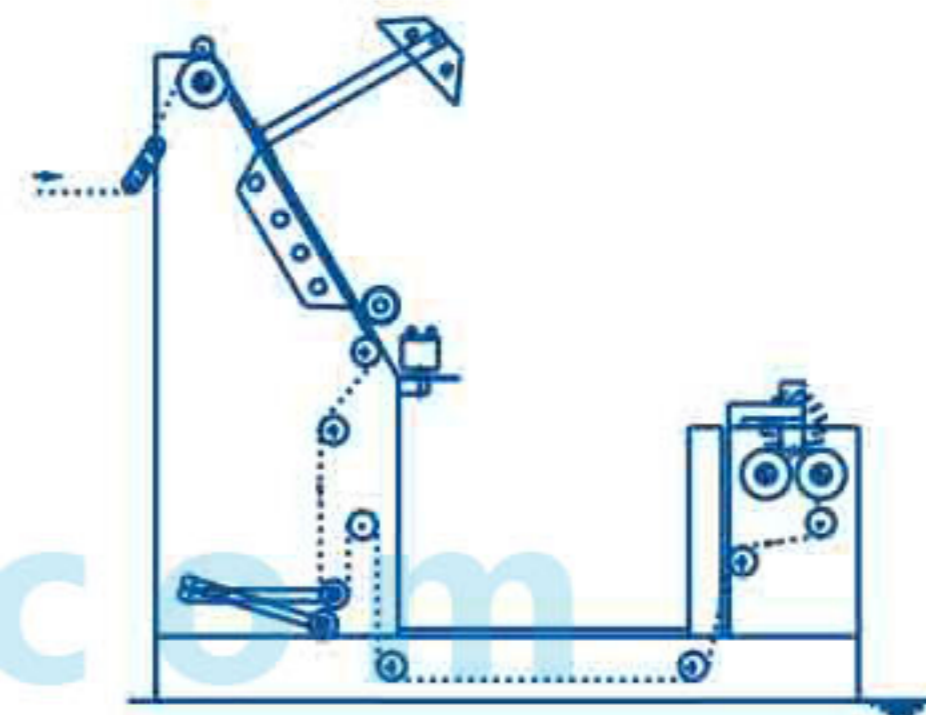
## BBR Working



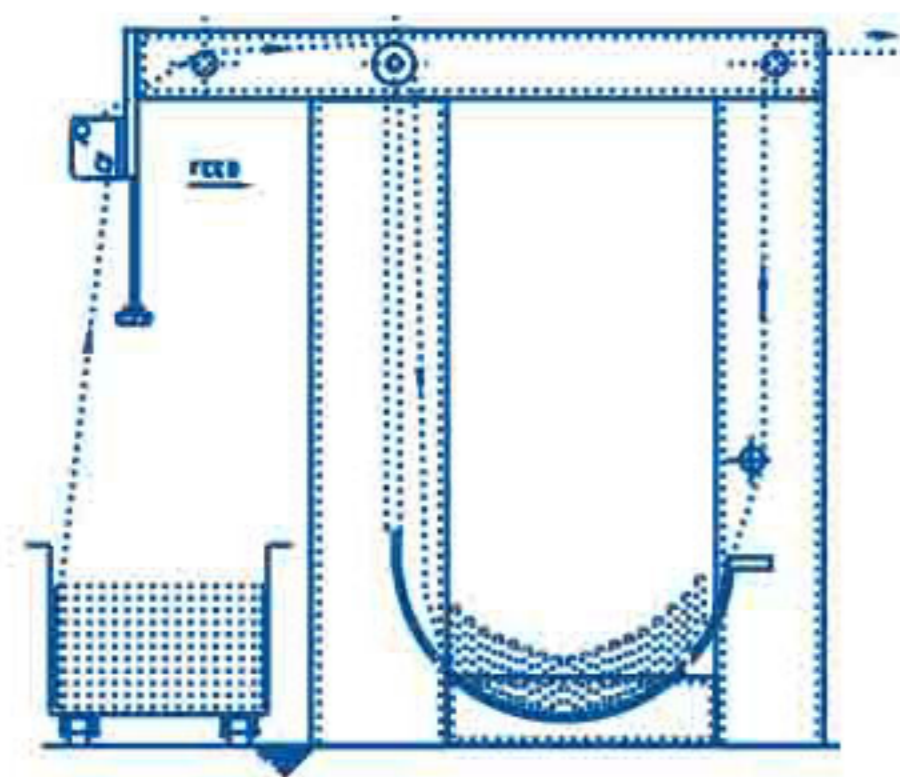
## BBR Feed and Delivery Options



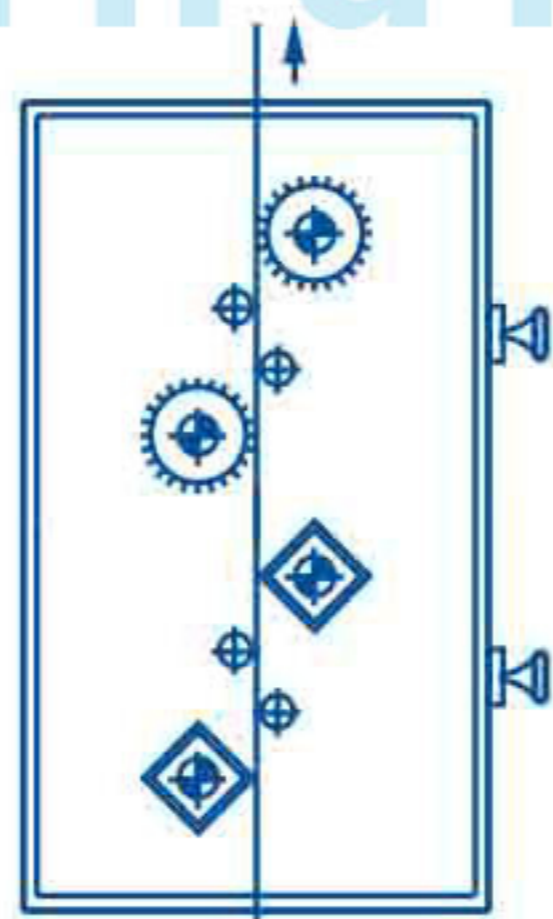
Feed Frame



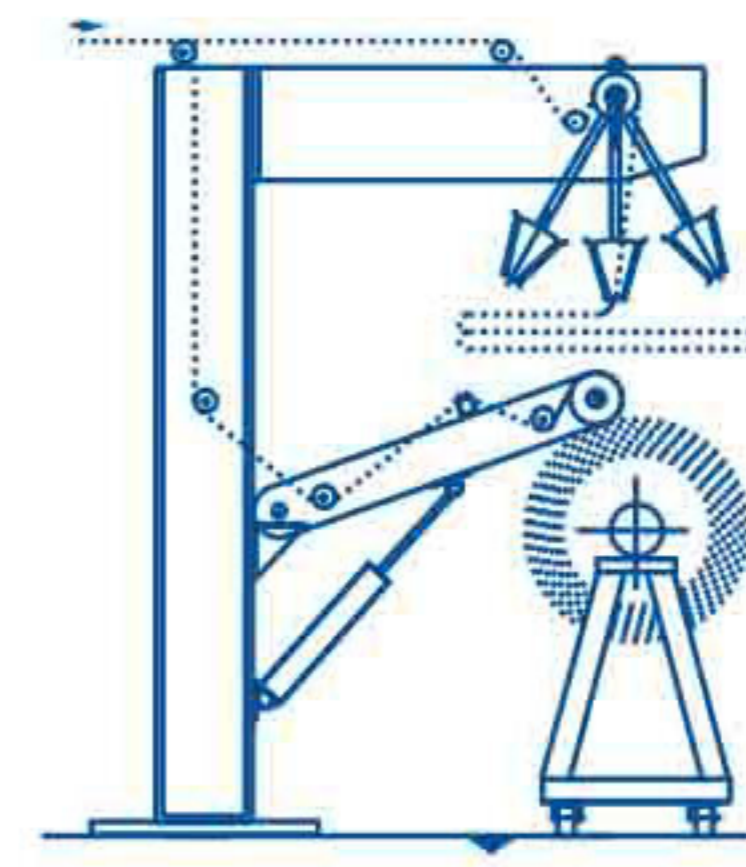
Inspection Machine



J-Scray

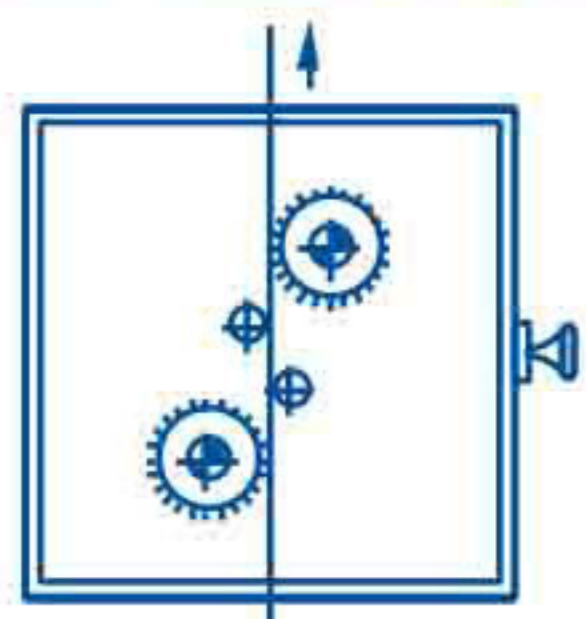


Brushing and Beating Machine

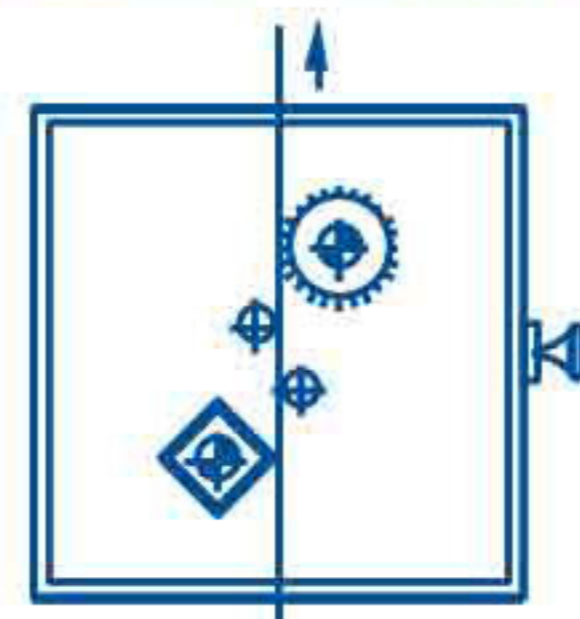


Plaiter / Batching Unit

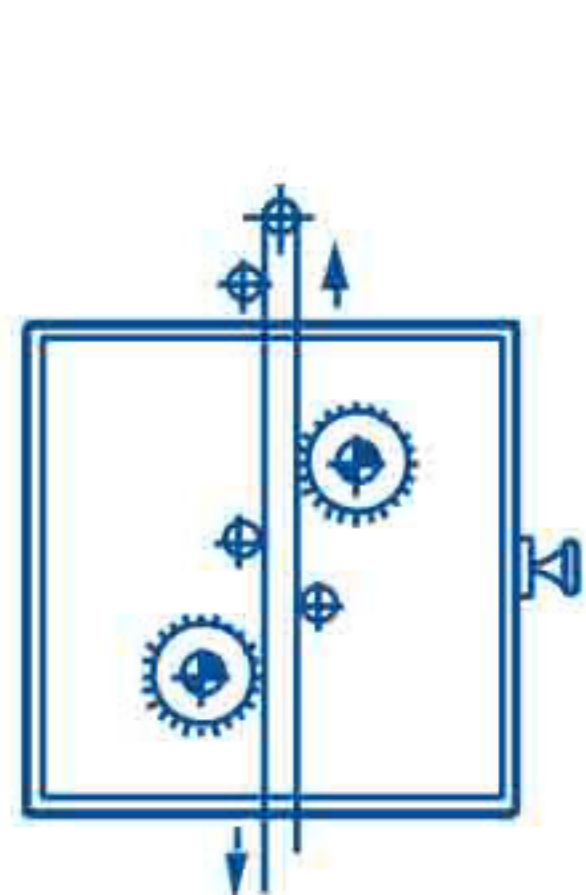
## BBR Brush and Beater Arrangements



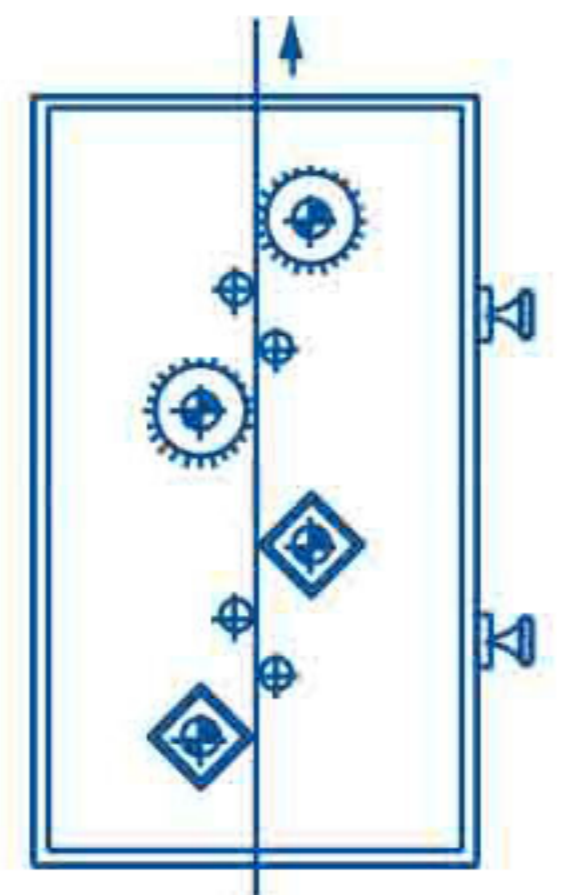
Brushing on Both Sides of Fabric



Brushing with one Beater



Brushing on Fabric Face in two Stroke



Brushing with two Beaters



### B-Tex Textile Machinery

3, Mahalaxmi Niwas,  
Near Deonar Bus Depot,  
Sion Trombay Road,  
Deonar, Mumbai- 400 088  
Maharashtra, India

Phone: +91-22-6573 3405 / 2553 1751

Telefax: +91-22-6671 2272

E-mail: sales@btexindia.com

[www.btexindia.com](http://www.btexindia.com)

**B  
B  
R**